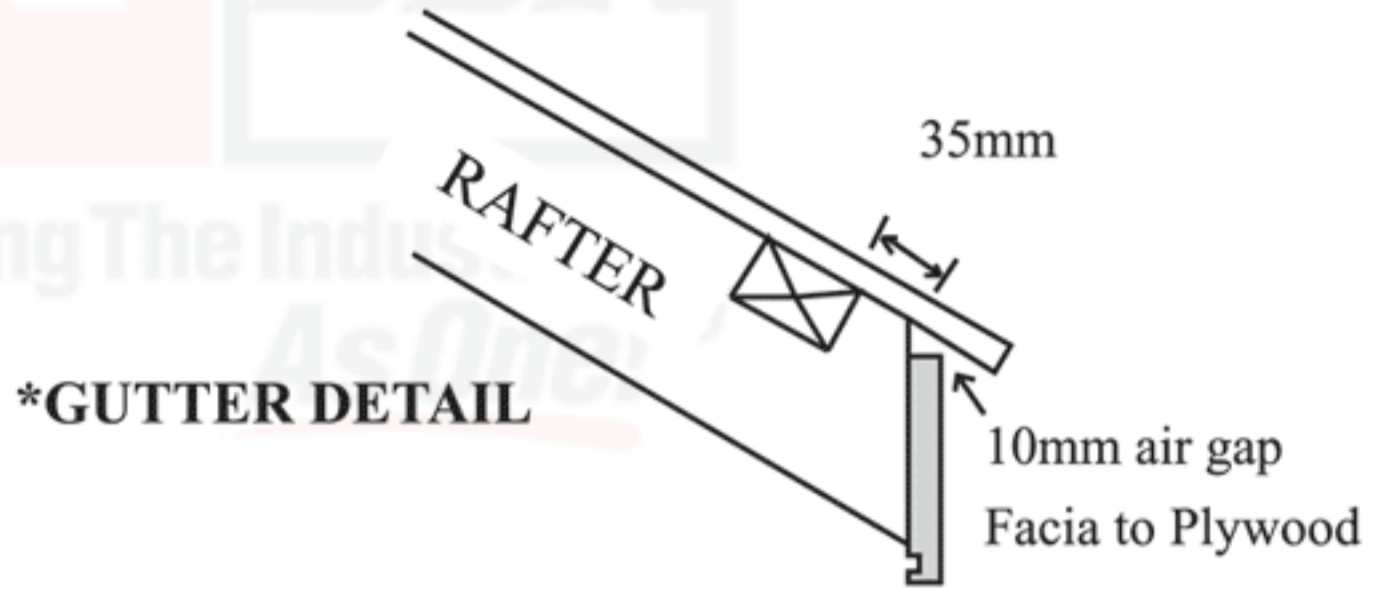
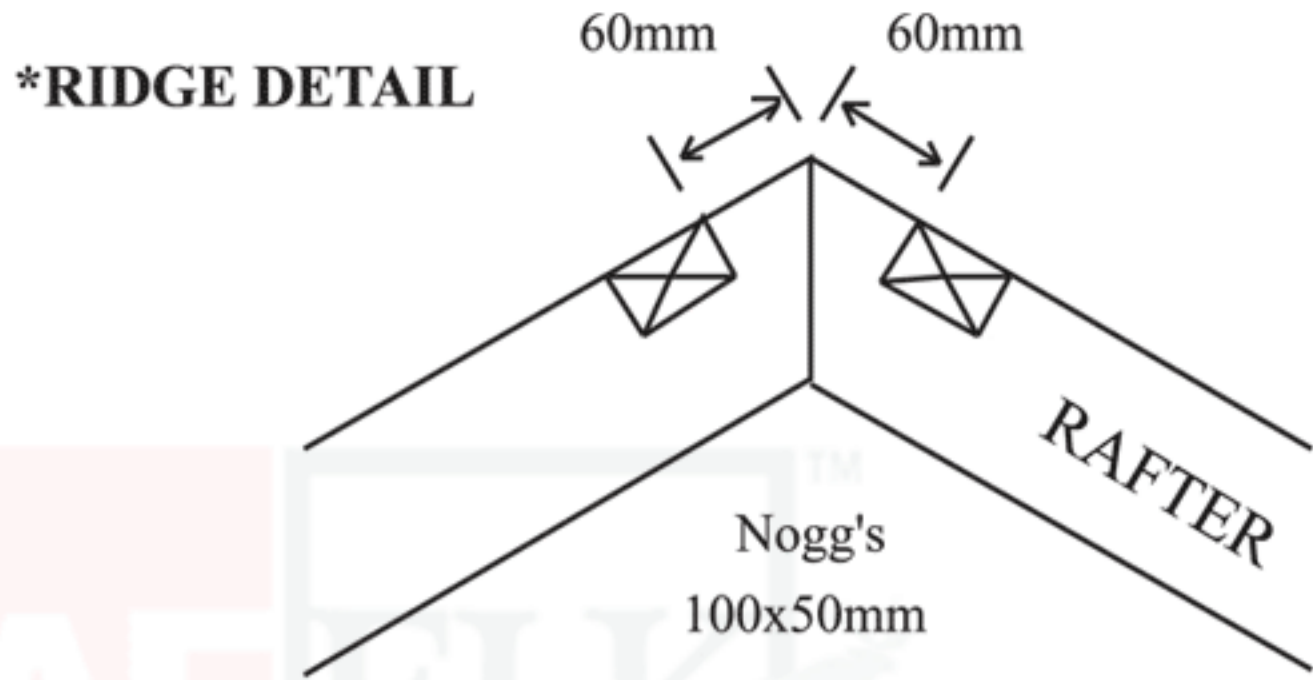


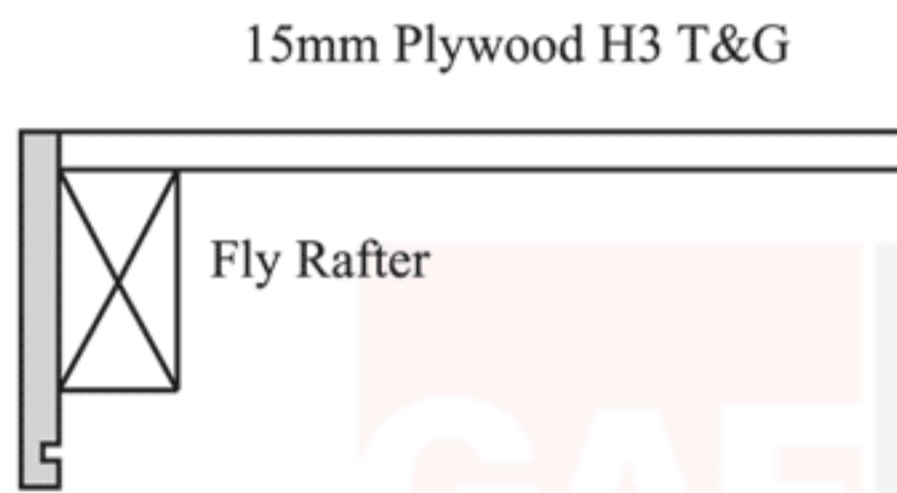


**GAF-ELK ASPHALT SHINGLE ROOFING BUILDERS CROSS-SECTION DETAILS**

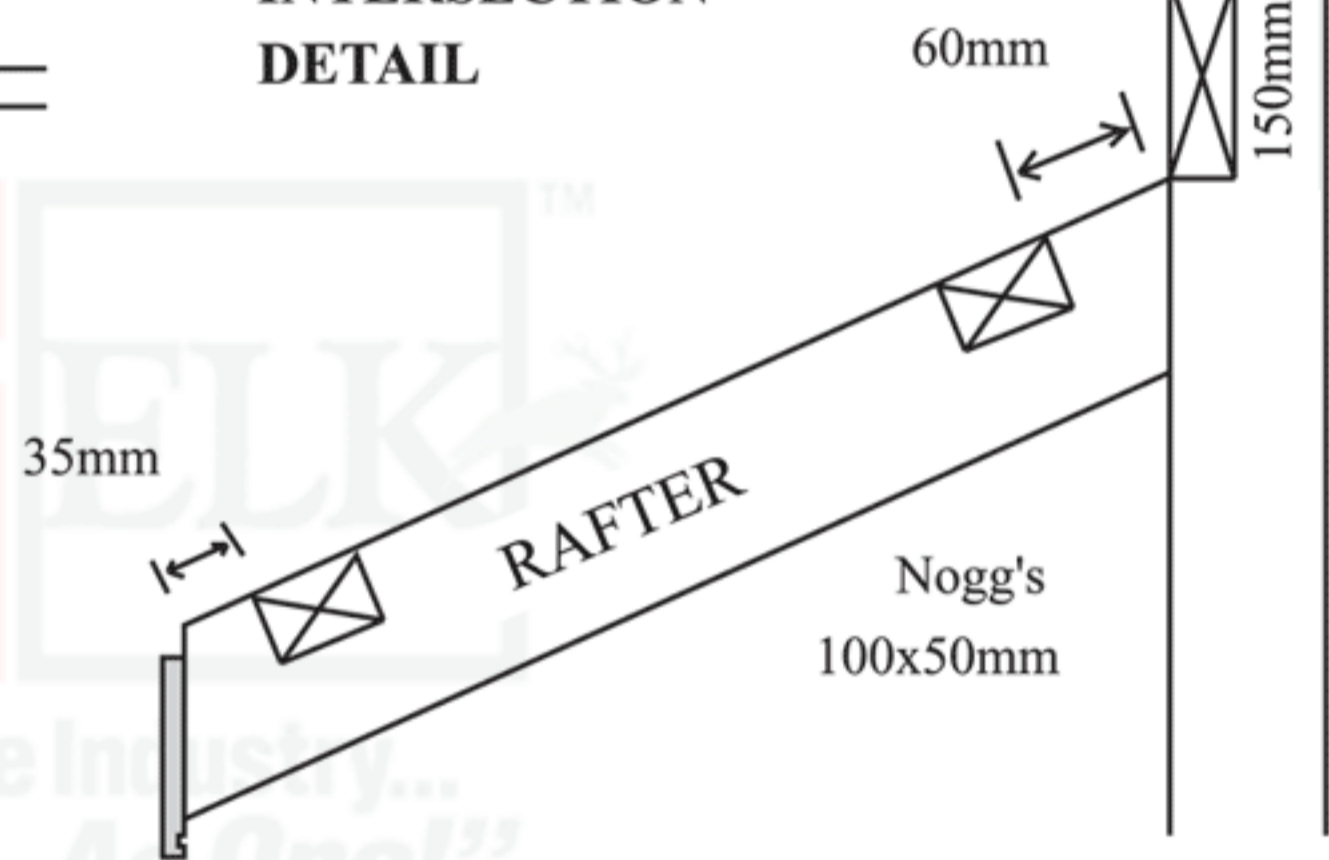


**\*BARGE FACIA DETAIL**

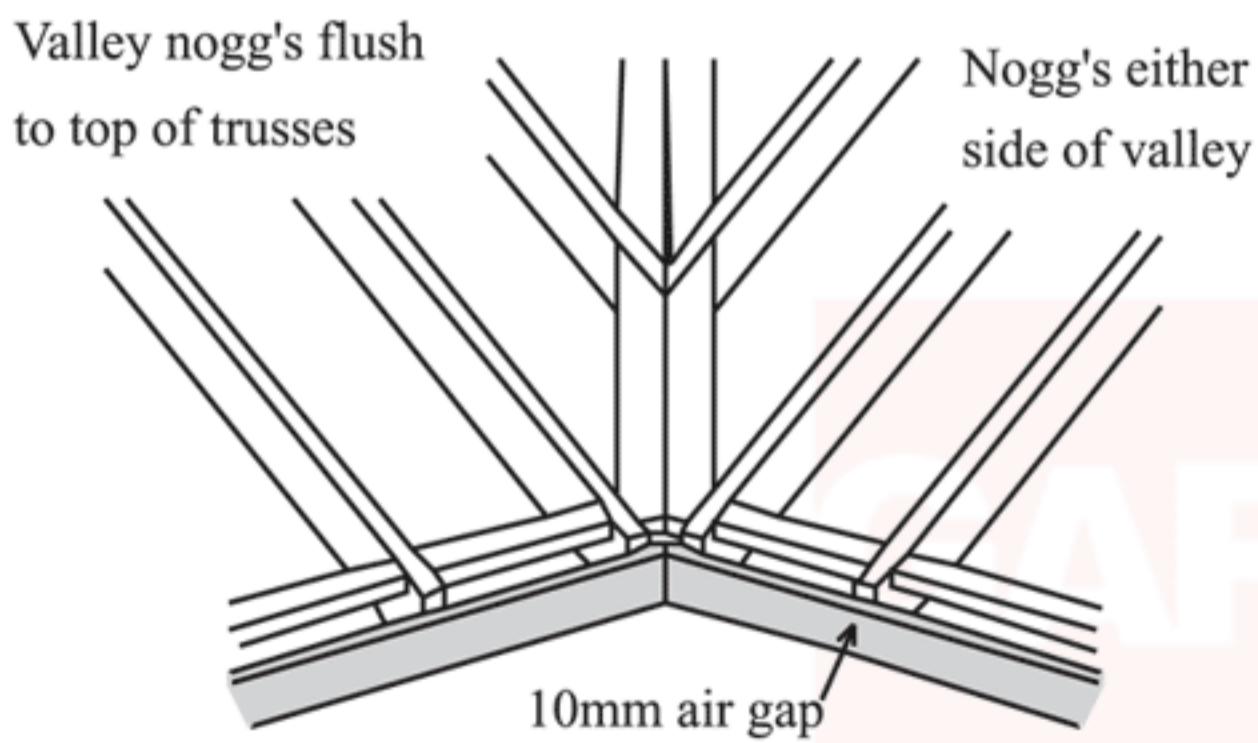
**IMPORTANT**  
 Top of Fascia  
 flush with Plywood



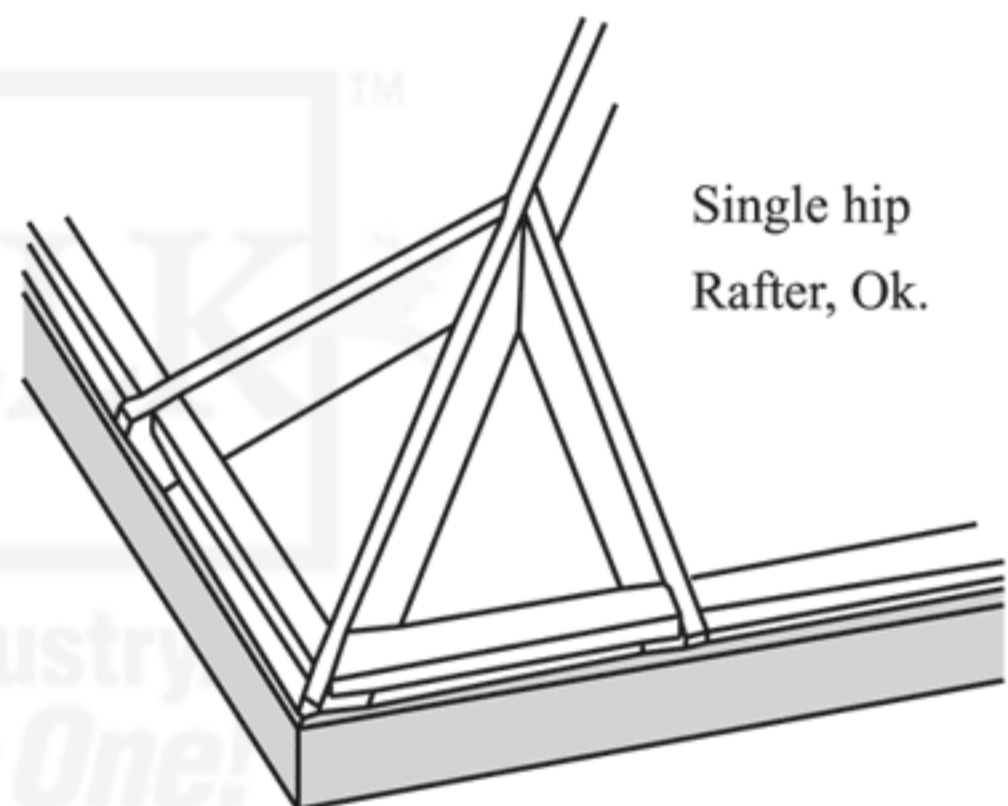
**\*ROOF/WALL INTERSECTION DETAIL**



**\*VALLEY DETAIL**



**\*HIP DETAIL**



**IMPORTANT NOTE:**  
 Scaffold to waist height at Gutter level,  
 plus hand rail at .800 above Gutter. SAFETY FIRST.

Mark 0274-776-715